

4

3

2

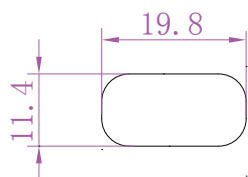
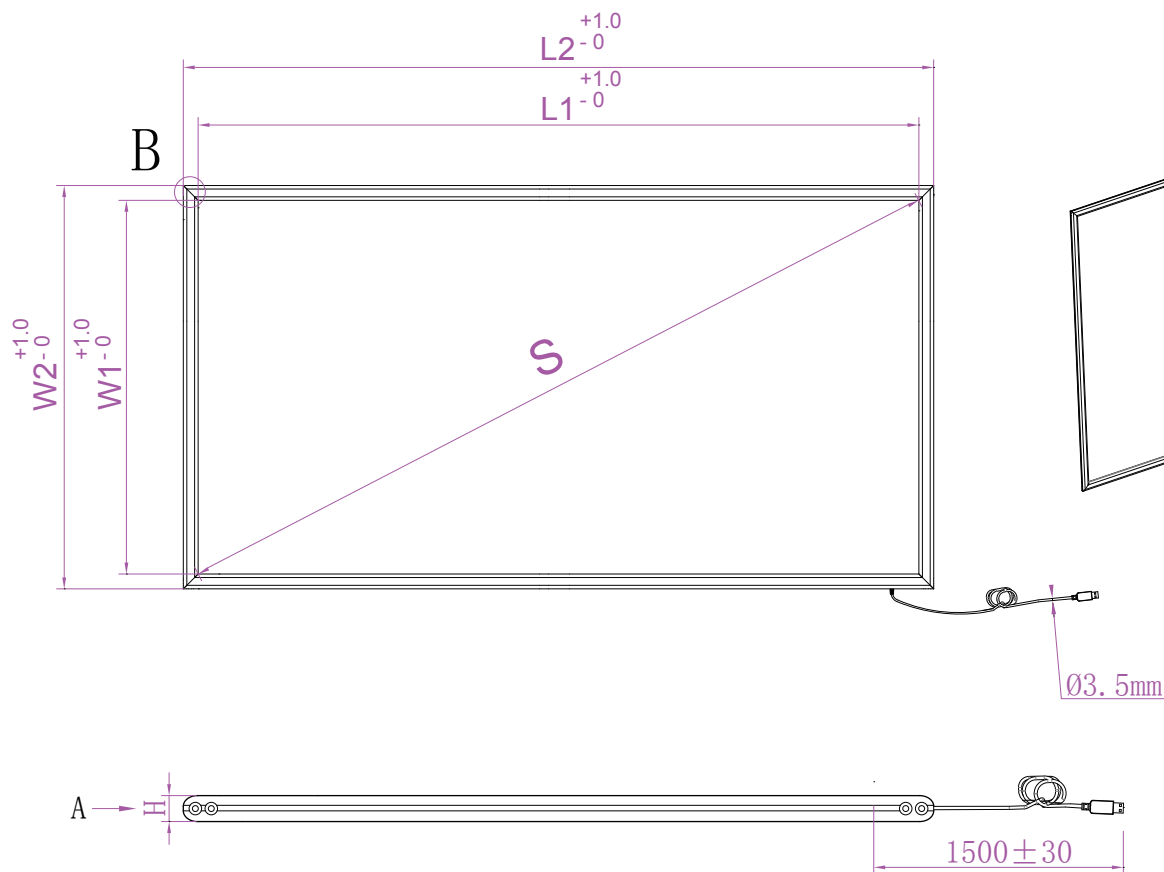
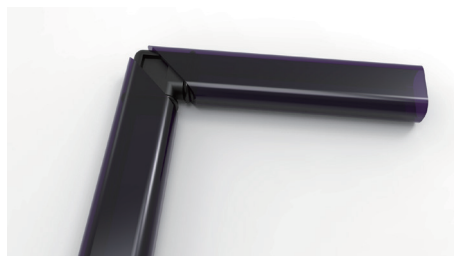
1

A

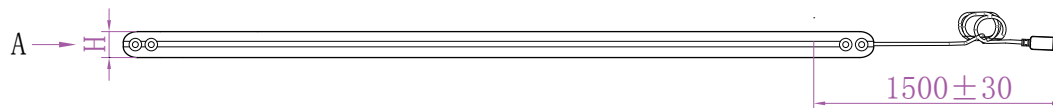
B

C

D



A



S(Inch/mm)	80.74"/2050.83
W1	1007(+1/-0)
W2	1046.6(+1/-0)
L1	1785.8(+1/-0)
L2	1825.4(+1/-0)
H	11.4 ±0.2



Anti-Sunlight, No Blind Zone For Any Size



Material:	plastic	Unit:	mm	Date:		Rev:	1.0
Draft by:		Approved by:					

4

3

2

1